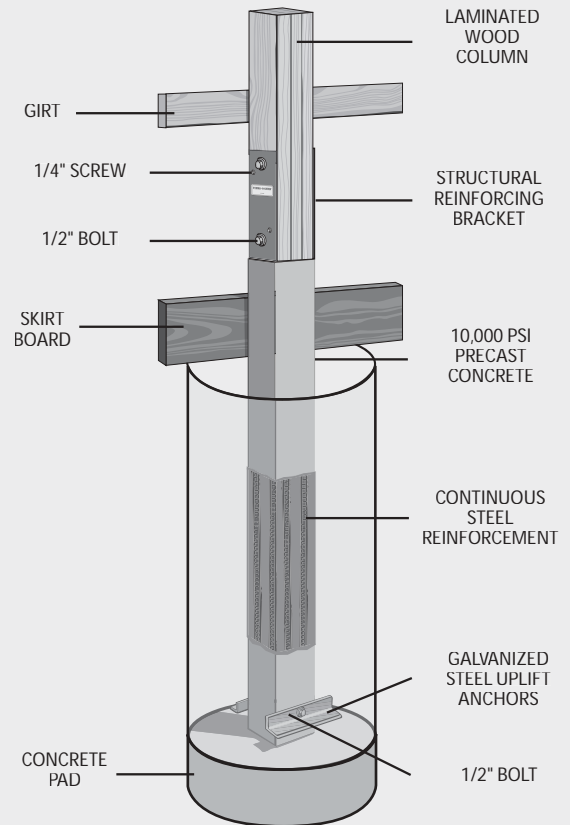


Installation Manual



THE PERMANENT SOLUTION

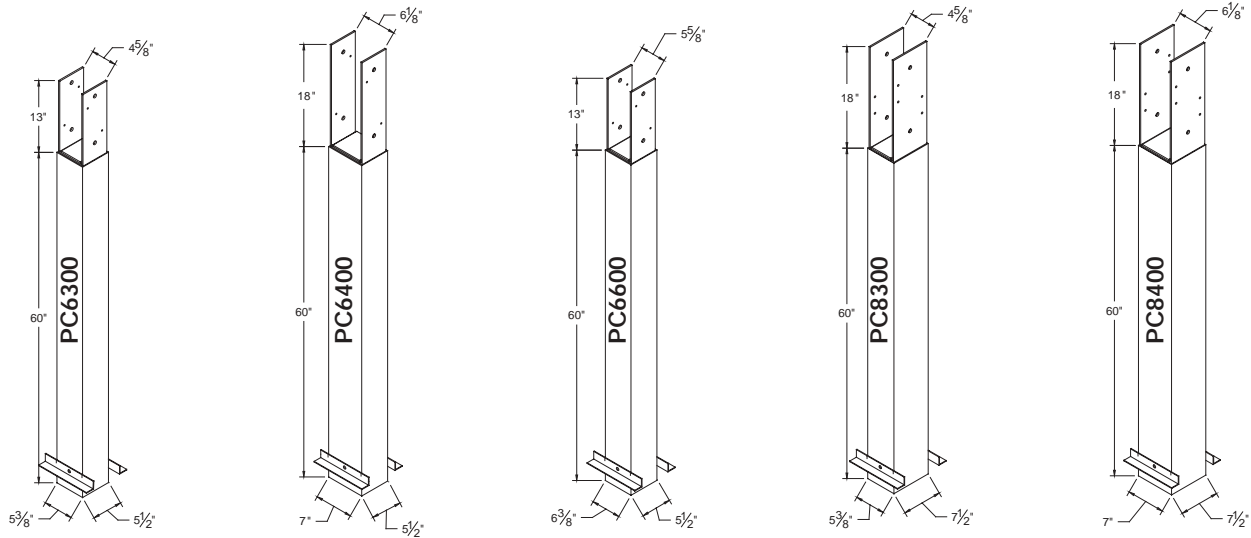
Extreme Strength

Lasting Longevity

Environmentally Friendly



Five Models



FIVE MODELS TO MEET YOUR DESIGN REQUIREMENTS.

PC6300 — designed for a 3 ply 2" X 6" laminated wood column (5½" X 4½")

PC6400 — designed for a 4 ply 2" X 6" laminated wood column (5½" X 6")

PC6600 — designed for a 6" X 6" wood post and replacement (5½" X 5½")

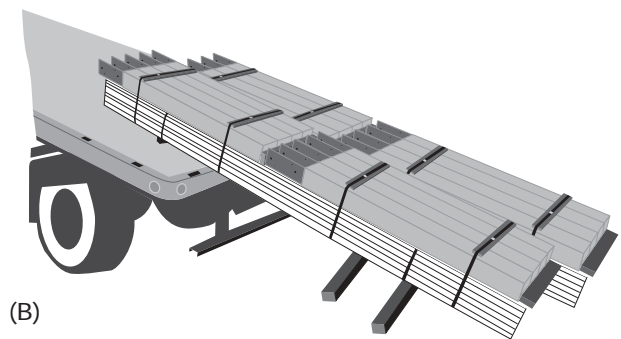
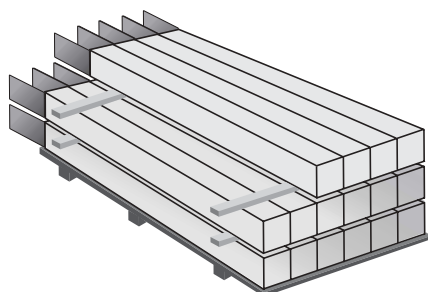
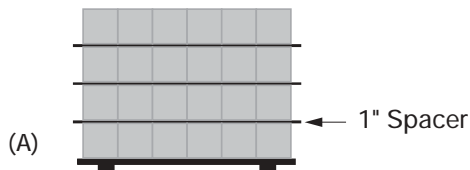
PC8300 — designed for a 3 ply 2" X 8" laminated wood column (7¼" X 4½")

PC8400 — designed for a 4 ply 2" X 8" laminated wood column (7¼" X 6")

Consult a design professional for appropriate model.

Handling & Storage

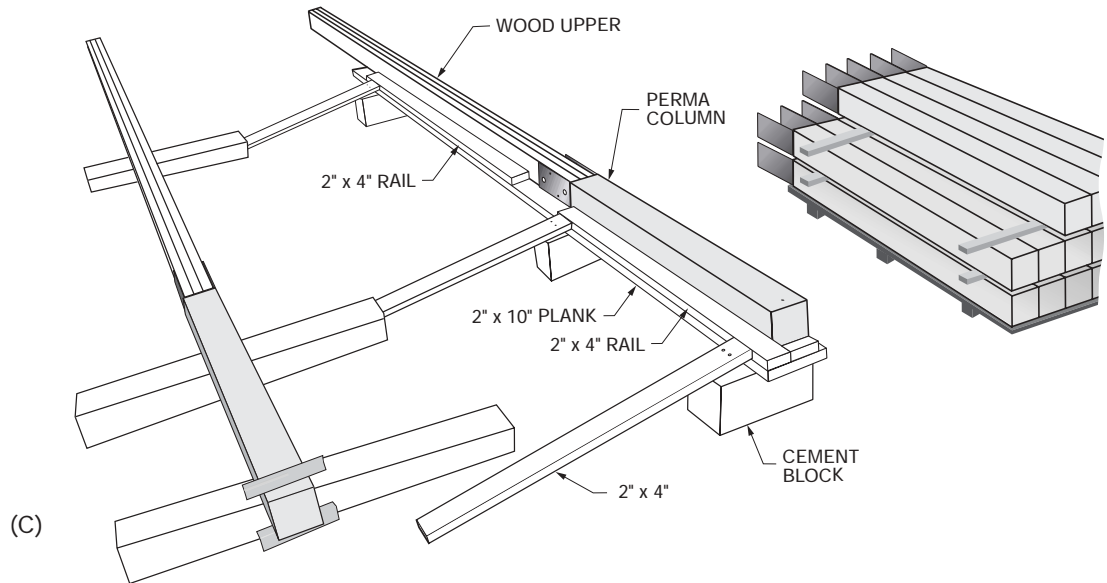
- Avoid direct impact of steel forks with concrete column to reduce surface chipping.
- Minor surface chipping can be repaired with premixed concrete patch available at your local hardware store.
- Place a wood spacer between every row of columns to avoid concrete to concrete contact. (A)
- Do not stack columns more than four rows high on a pallet. (A)
- Keep columns covered during storage and shipping to preserve appearance.
- PCs* can be dump unloaded by banding securely to wood bundle. (B)



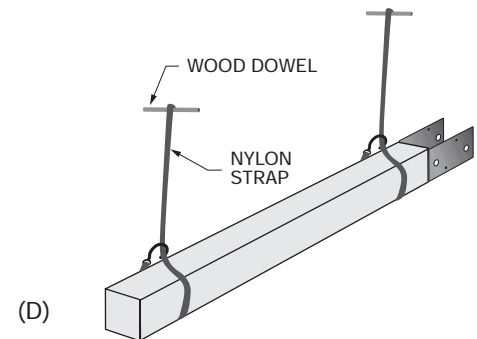
*PERMA-COLUMN to be hereafter referred to as PC.

Option 1: Preassembled Column

1. Place unassembled PC's close to the assembly table.
2. Assembly table to be level and no more that 12" off the ground to facilitate manual lifting. (C) If a hoist is available, the assembly table works best at around 30" high.
3. A 2" x 10" plank with a 2" x 4" back rail setting on cement blocks will suffice. (C)



4. Lift PC using a nylon "choke" strap around each end. (D)
5. Place PC on assembly table and insert wood column in steel bracket. Wood column must sit tight against the steel seat. Bottom of wood column may need to be square cut to insure tight fit. (E)
6. Clamp wood column to table before drilling or inserting screws to hold joint tight during assembly.
7. Install 1/4" x 3" Simpson™ SDS screws (or equal) before drilling 1/2" bolt holes through wood column.

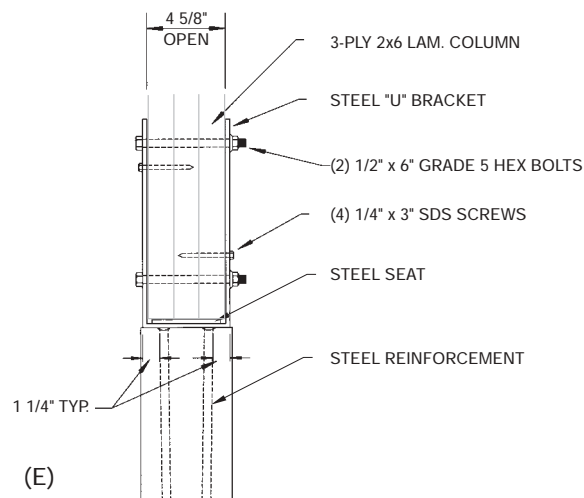


Fastener Requirements*

- (4) 1/4" x 3" Simpson™ SDS screws (or equal) required for PC6300, PC 6400 and PC6600.
- (8) 1/4" x 3" Simpson™ SDS screws (or equal) required for PC8300 and PC8400.
- (2) 1/2" x 6" Grade #5 HHCS bolt, nut and washer required for PC6300 and PC8300.
- (2) 1/2" x 7" Grade #5 HHCS bolt, nut and washer required for PC6600.
- (2) 1/2" x 8" Grade #5 HHCS bolt, nut and washer required for PC6400 and PC8400.

*Fasteners are not provided.

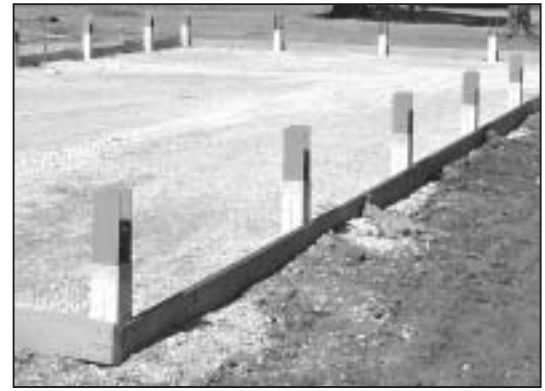
8. Insert 1/2" grade 5 bolts in drilled holes and tighten nuts to approximately 110 foot pounds of torque.
9. Roll assembled column off the back side of the table onto wood stickers for skid loader pick-up.



Option 2: Unassembled Column

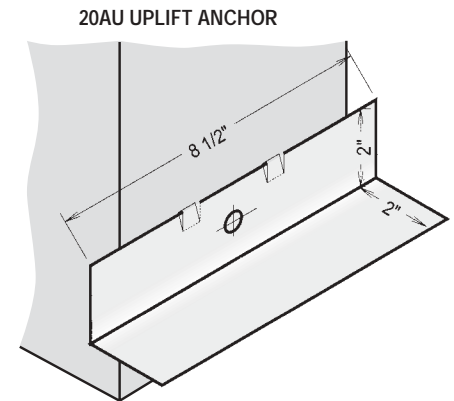
- PC's can be installed without the wood upper, using the same procedures as the "Post Hole Digging Requirements" below.
- This will allow for better access to place the concrete floor. (F)
- Using this option allows for building to be started in the fall and completed in the winter.

(F)



Attaching Uplift Anchors

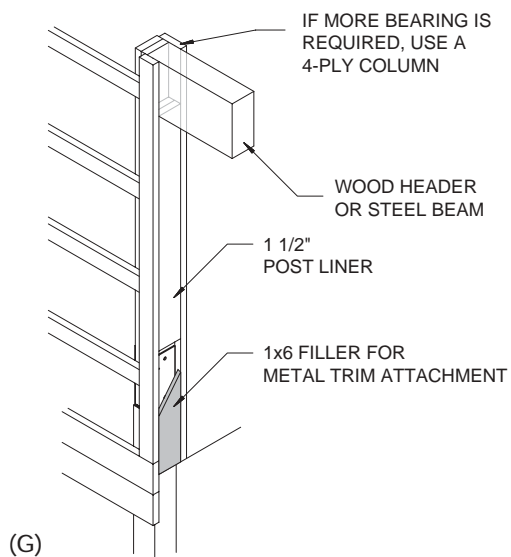
1. Consult a design professional for appropriate sized uplift anchor.
PC20UA Uplift Anchor 2" x 2" x 8.5" Galvanized
PC30UA Uplift Anchor 3" x 3" x 12" Galvanized
2. Attach uplift anchor with 1/2" bolt. Tighten nut firmly until uplift anchor does not rotate.
1/2" x 7" bolt and nut required for PC6300, PC6400 and PC6600.
1/2" x 9" bolt and nut required for PC8300 and PC8400.



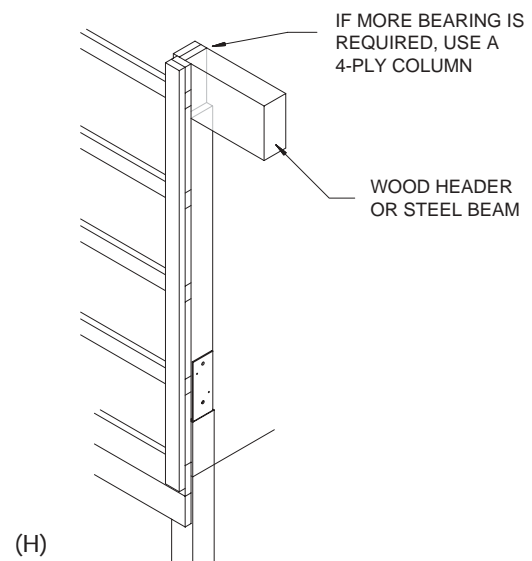
Post Hole Digging Requirements

- For required PC embedment depth, consult a design a professional.
- Concrete portion of PC's to be flush with the sidewall girt line.
- **Overhead door openings to be 3" wider than desired finished opening to accommodate 1 1/2" PC bracket trim-out. (G)**
- **Slide door openings to be the same as the desired finished opening. PC brackets intrude into the slide door opening by 3/8". (H)**
- Dig post hole depth so all PC brackets are at a uniform height. If adjustment is necessary, use tamped gravel.
- If bedrock is contacted at a post hole location, the bottom of the PC may be cut off using a masonry saw. The uplift anchor hole will need to be redrilled using a 9/16" masonry drill bit.

OHD DOOR JAMB

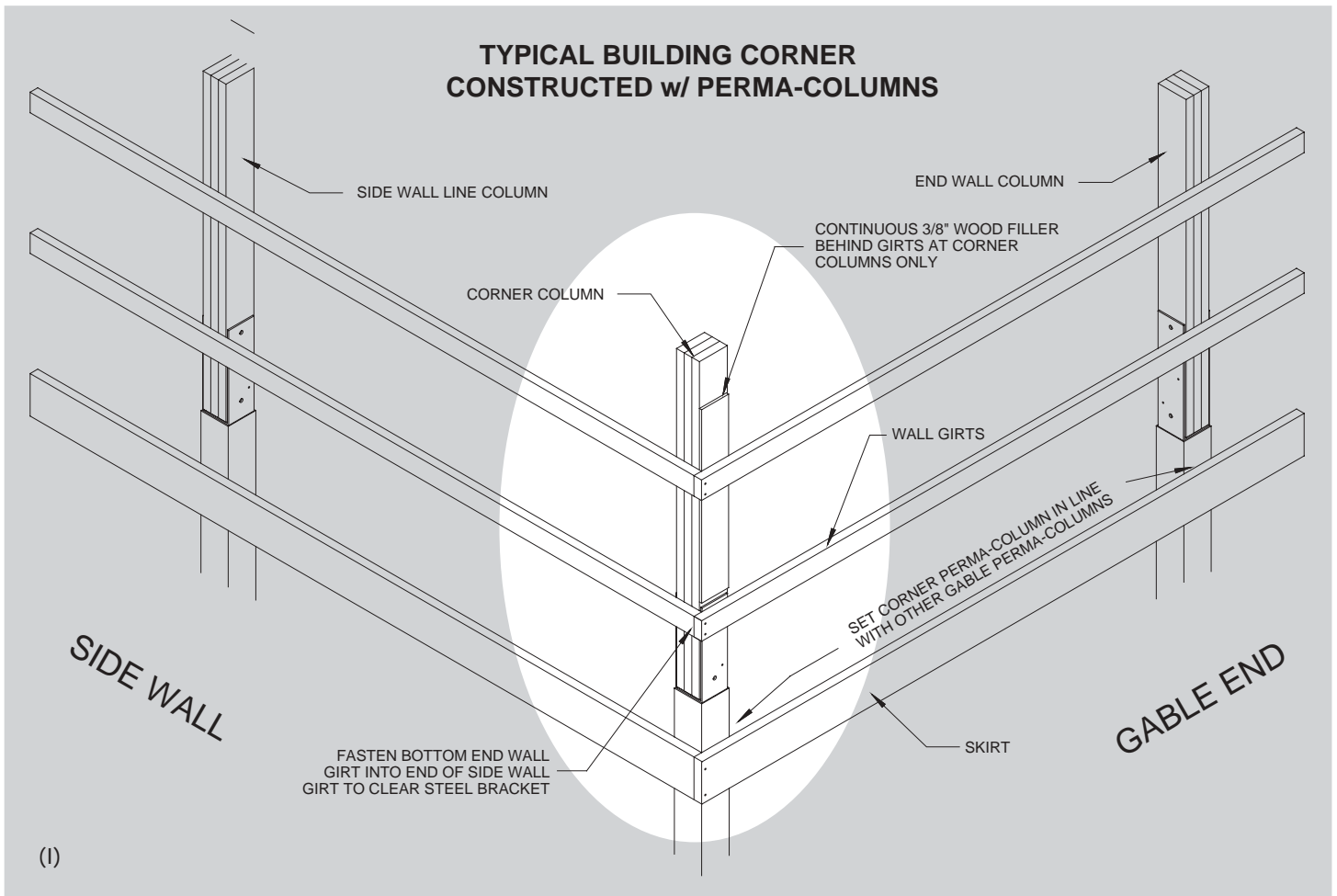


SLIDE DOOR JAMB



Column Placement and Leveling

1. Attach a 3/8" wood filler to the (4) corner columns to make girts and skirt flush. (I)
2. Lift multiple PC assemblies with a skid loader and drive along the post hole line.
3. Place concrete pad in bottom of hole prior to setting PC. Consult design professional to determine thickness of concrete pad.
4. Tilt PC assemblies off skid loader forks into post hole. (J)
5. Plumb the PC columns using standard leveling procedures. (K)
6. Backfill post holes with appropriate materials, tamping 6" layers until hole is filled.



Skirt Board Attachment

1. Install first row of sidewall girts before attaching the skirtboard. The skirtboard will be hung from this first row of girts.

Make two skirt hangers to allow for hands free skirt placement. (L)

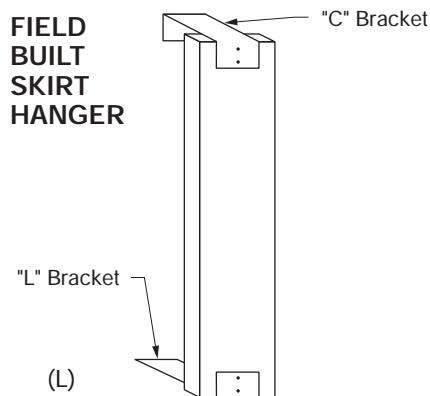
- Using a 2" x 4" board, cut the board to the proper length to hang the skirtboard.
- Attach a metal "C" bracket (1 1/2" pocket) to this board to hang over the bottom girt row.
- Attach a metal "L" bracket (1 1/2" seat) to this board to hang the skirtboard in place.

2. Hang the skirtboard from the first girt row using skirt hanger while drilling and attaching.

3. Drill a 3/16" hole through the skirt board and 2" into the concrete post using a hammer drill. (M)

NOTE: Angle the drill toward the center of the concrete post to avoid hitting the interior rebar. (E page 2)

4. Drive a 3/16" x 3" Powers stainless steel split drive anchor (PC3DA-SS) into the post until the skirt is secure. (N)



(M)



(N)

Porch Post Trim Detail

1. Porch posts can be trimmed-out using the following methods.

